

# LEO 16 GT

## Technical Data\*

Aerial Work Platform **TEUPEN<sup>®</sup> hyLIFT<sup>®</sup>**



**LEO 16 GT**

Working height:	approx. 16,00 m
Cage floor height:	approx. 14,00 m
Lateral outreach to either side:	approx. 6,95 m
Safe load on cage:	max. 200 kgs
Size of working cage (LxWxH):	0,90 x 0,80 x 1,10 m
Rotating working cage:	approx. 150°
Overall length in travelling position:	approx. 5,75 m
Minimum clearance width:	min. 0,94 m
Overall height in travelling position:	min. 1,98 m
Net weight:	approx. 2100 kgs
Standard jacked area (LxW):	min. 4,10 m x 2,70 m
Max. load on jack plate per plate.:	approx. 15 kN
Surface load in standard work position:	approx. 1,3 kN/m <sup>2</sup>
Ground pressure in travelling position:	approx. 5,6 N/cm <sup>2</sup>
Range of rotation:	450°
Max. ground slope:	approx. 15 %
Climbing ability (in direction of traffic):	approx. 30 %
(crosswise to direction of traffic):	approx. 25 %
Driving speed:	approx. 1,5 km/h
Power track:	installed inside
Telescopic cylinder:	installed inside

Hydraulic load limit for function of upper and lower boom section and for telescoping

## Driving engines

### Electricmotor EBS 90 L X 4

Nominal input voltage.:	230 V / 50 Hz
Drawing of current:	12,9 A
Output:	2,2 kW

### Driving engine Kubota Z-482-E

Water-cooled-2-Cyl.-4-stroke-diesel-engine	
Piston displacement:	479 cm <sup>3</sup>
Max. output at 3600 min <sup>-1</sup> :	8,9 kW (12,1 HP)
Type of fuel:	Diesel
Noise level max.:	approx. 77 dB (A) (distance 7 m)

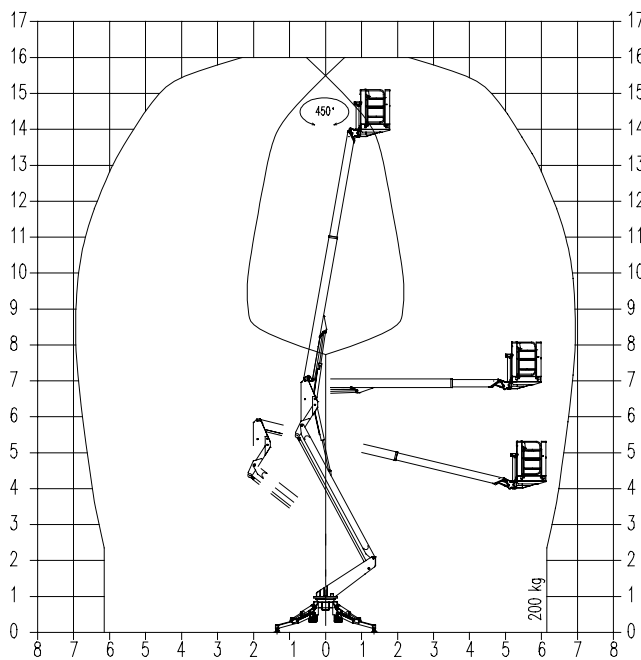
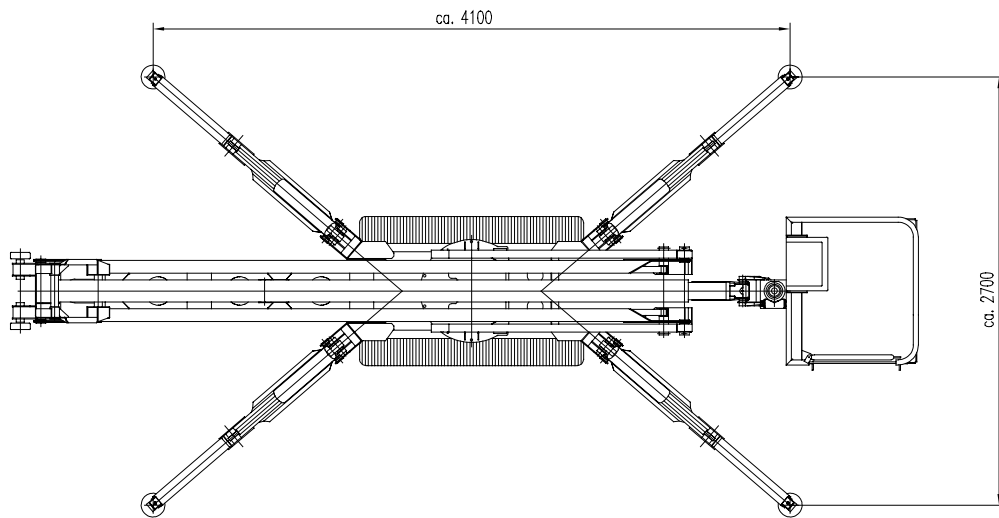
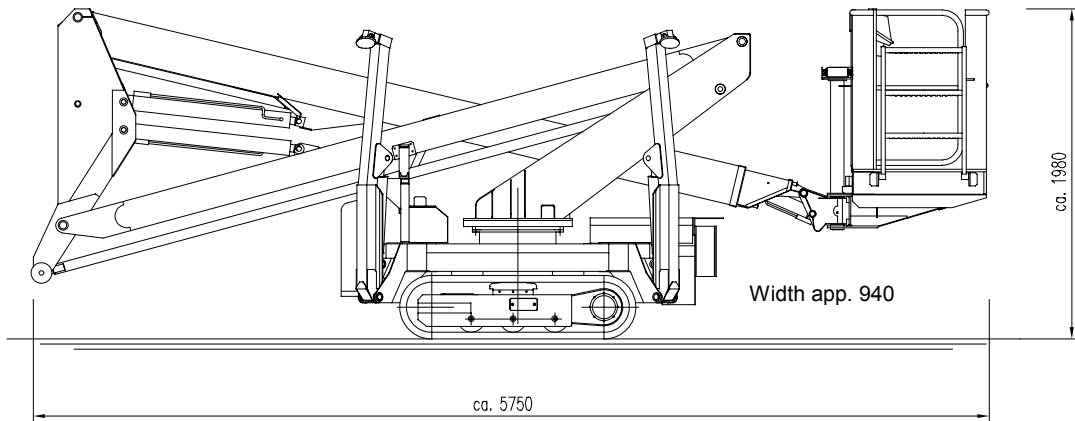
## Ancillary equipment

Working cage (LxWxH, min. clearance width 1,20 m):	1,20 x 0,80 x 1,10 m
--	----------------------

\*Technical data with standard equipment!

Alterations in construction reserved!

As at 03.02.03



Alteration in construction reserved!

## TEUPEN Maschinenbaugesellschaft mbH

Address: Marie-Curie-Strasse 13 - 48599 Gronau-GERMANY - Phone ++49 / 2562 / 8161-0 - Fax ++49 / 2562 / 8161-888  
 P. O. Box: 1951 - 48580 Gronau-GERMANY

Internet: <http://www.teupen.info> - E-mail: [mail@teupen.info](mailto:mail@teupen.info)